

RUPES



NEW KS300 PROFESSIONAL VACUUM CLEANER

WITH DUAL MOTOR TECHNOLOGY

The RUPES KS300 is a Professional Vacuum Cleaner with **INTEGRATED WORKSTATION** that guarantees high filtration efficiency with 5m² **FILTERING SURFACE** and three filtration steps.

This compact, maneuverable, and powerful Vacuum Cleaner can support two operators simultaneously thanks to the innovative **DUAL MOTOR TECHNOLOGY** that features **TWO 1200W MOTORS**.

The motors can work alternately or together and a single motor can support up to two tools at the same time. The unit includes two Electric Plugs and two Pneumatic Plugs, both with Autostart System, that allow for connection of pneumatic and electric tools.

2 USERS SIMULTANEOUSLY



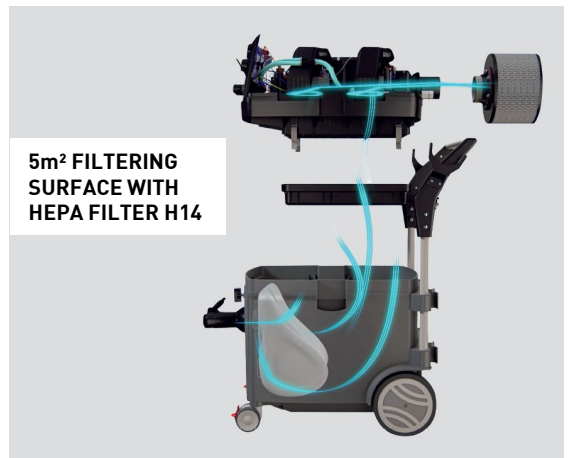
WITH INTEGRATED WORKSTATION SYSTEM



INTERLOCKING TOOLBOX SYSTEM



3 FILTRATION STEPS





NEW KS300

**WATCH THE
PRODUCT VIDEO**



TECHNICAL DATA

MODEL	KS300EP	KS300EPH
Power supply voltage	220/240 Vac - 50/60 Hz	220/240 Vac - 50/60 Hz
Motor power	1200 W	1200 W
Motor maximum power	2 x 1000 W	2 x 1000 W
Motor maximum current consumption	8 A	8 A
Tool socket maximum power	2 tools 800 W + 800 W 1 tool 1600 W	2 tools 800 W + 800 W 1 tool 1600 W
Total maximum power	3600 W max / 15.7 A	3600 W max / 15.7 A
Motor vacuum flow rate	160 m³/h (min.) - 210 m³/h (max)	160 m³/h (min.) - 210 m³/h (max)
Maximum vacuum flow rate	300 m³/h	300 m³/h
Maximum vacuum	2000 mm/H ₂ O	2000 mm/H ₂ O
Weight	33 Kg	33 Kg
Dimensions (A x B x C)	73x52x89 cm	73x52x89 cm
Noise level	68 ± 2 dB (A)	68 ± 2 dB (A)
Filtering surface	2 m ²	2+2 m ²
Filter category	M (EN 60335-2-69)	M (EN 60335-2-69) HEPA - H14 (EN 1822)
Maximum bag capacity	10 Kg	10 Kg
Electrical sockets	2	2
Start-up mode	M - 0 - A	M - 0 - A
PNEUMATIC SECTION		
Input air pressure	6 bar	6 bar
Maximum compressed air flow rate	1450 l/min	1450 l/min
Connection	3/8" G female	3/8" G female
Pneumatic connections	2	2