



### Features:

- Thick Insulation Ensures Lowest Electric Consumption
- Inner Enamel Coating Ensures Long Lifetime
- Oversized Magnesium Anode Provides the Most
- Protection Against Corrosion
- Electrostatic Polyester Outer Coating Provides Artistic Look & Ensures Protection
- CE Certified
- Analogue Thermometer Display

Specifications	Container Capacity	
	20 H.	40 H.
30 Lit	336	822
50 Lit	210	515
80 Lit	180	385
100 Lit	160	300
120 Lit	144	290



**Capacity 30L, 50L, 80L, 100L, 120L**



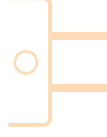
### Technical Specifications:

Electrical Specifications	Volt	230 V
Frequency	50 - 60 Hz	
Working Pressure	7.5 Bar (0.75 Mpa)	
Max. Setting Temp.	75° C	
Thermal Safety Cut-Out Limit	99° C	
Thermostat Safety Levels	Double Safety	
Basic Insulation	Class I	
Degree of Protection	IPX4	
Boiler Material	Steel	
Boiler Coating	Porcelain	
Insulation	Polyurethane Foam	
Inlet & Outlet Pipes	Stainless Steel	
Upper & Lower Covers	Metal	
External Coating	Epoxy/ Polyester	
Heating Element	Copper	
		<b>Capacity</b>
		50L
		80L
		15
		20
		17
		22.5
Weight	Net (kg)	
	Gross (kg)	
Heater Type	Screw Vertical	Flange Vertical
Installation	Horizontal	Horizontal
Package Dimensions mm	490*465*610	Screw Vertical 490*465*815

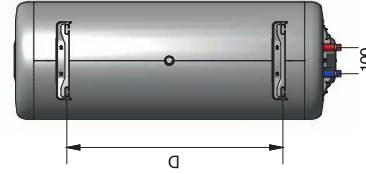
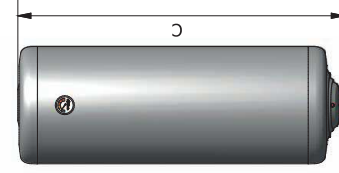
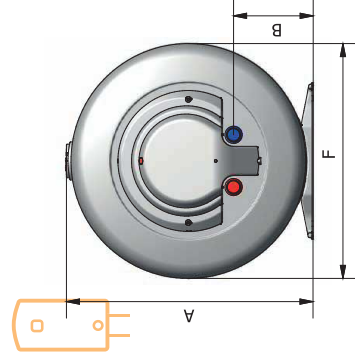




<b>Electrical Specifications</b>	230 V	
Frequency	50 - 60 Hz	
Working Pressure	7.5 Bar (0.75 Mpa)	
Max. Setting Temp.	75° C	
Thermal Safety Cut-Out Limit	99° C	
Thermostat Safety Levels	Double Safety	
Basic Insulation	Class I	
Degree of Protection	IPX4	
Boiler Material	Steel	
Boiler Coating	Porcelain	
Insulation	Polyurethane Foam	
Inlet & Outlet Pipes	Stainless Steel	
Upper & Lower Covers	Metal	
External Coating	Epoxy/ Polyester	
Heating Element	Copper	
	<b>Capacity</b>	
	100L	
	120L	
<b>Weight</b>	Net (kg)	23.5
	Gross (kg)	26.4
<b>Heater Type</b>	Flange	26
	Flange	29
<b>Installation</b>	Vertical	Vertical
	Horizontal	Horizontal
<b>Package Dimensions mm</b>	490*465*960	490*465*1075



**Dimensions:**



<b>Model</b>	Marina	<b>Storage Capacity</b>	Lit	U.S. Gals	<b>Voltage (V)</b>	<b>Power (W)</b>	<b>Packing Dimensions (mm)</b>	<b>Shipping Weight</b>	Lbs	Kg	<b>A (mm)</b>	<b>B (mm)</b>	<b>C (mm)</b>	<b>D (mm)</b>	<b>E (mm)</b>	<b>F (mm)</b>

