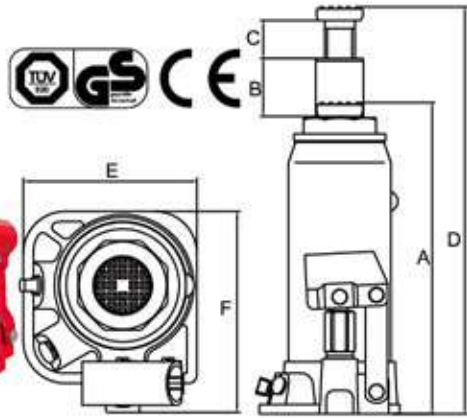


# Hydraulic Bottle Jacks



**T90204 2 Ton**   **T90304 3 Ton**   **T90404 4 Ton**   **T90504 5 Ton**   **T90604 6 Ton**   **T90804 8 Ton**   **T91004 10 Ton**



**T91204 12 Ton**   **T91504 15 Ton**   **T91604 16 Ton**   **T92004 20 Ton**   **T93204 32 Ton**   **Texte T95004 50 Ton**



**Color Box** **IB**



**Blow Mold Case** **C**

**T90204 (With BMC) 2 Ton**



**T90304 (With BMC) 3 Ton**  
**T90404 (With BMC) 4 Ton**



**T90504 (With BMC) 5 Ton**  
**T90604 (With BMC) 6 Ton**

Model	Capacity	Min.Height (mm)	Lift Height (mm)	Adjustable Height(mm)	N.W. / G.W. (kg)	Package Size (mm)	QTY/CTN (pcs)	QTY/20'CY (pcs)	A	B	C	D	ExF
									(mm)				
T90204	2Ton	181	116	48	<b>B</b> 2.63 / 2.7 <b>C</b> 2.63 / 3.04	315x220x216 520x230x290	6	6030 4620	181	116	48	345	88x92
T90304	3Ton	194	118	60	<b>B</b> 3.35 / 3.42 <b>C</b> 3.35 / 3.76	330x245x235 570x240x310	6	4782 3906	194	118	60	372	92x100
T90404	4Ton	194	118	60	<b>B</b> 3.35 / 3.42 <b>C</b> 3.35 / 3.76	330x245x235 570x240x310	6	4782 3906	194	118	60	372	92x100
T90504	5Ton	216	127	70	<b>B</b> 4.35 / 4.5 <b>C</b> 4.35 / 4.76	265x235x260 405x235x335	4	3692 3126	216	126	70	413	96x112
T90604	6Ton	216	127	70	<b>B</b> 4.35 / 4.5 <b>C</b> 4.35 / 4.76	265x235x260 405x235x335	4	3692 3126	216	127	70	413	96x112
T90804	8Ton	230	147	80	<b>B</b> 5.48 / 5.57	275x250x260	4	2944	230	147	80	457	103x118
T91004	10Ton	230	150	80	<b>B</b> 6.46 / 6.55	285x260x265	4	2512	230	150	80	460	110x123
T91204	12Ton	230	155	80	<b>B</b> 7.19 / 7.44	400x168x275	3	2265	230	155	80	465	116x134
T91504	15Ton	230	150	80	<b>B</b> 8.26 / 8.37	320x175x275	2	1958	230	150	80	460	133x136
T91604	16Ton	230	150	80	<b>B</b> 8.26 / 8.37	320x175x275	2	1958	230	150	80	460	133x136
T92004	20Ton	242	150	80	<b>B</b> 10.35 / 10.47	330x180x280	2	1566	242	150	60	452	144x152
T93204	32Ton	285	180	/	<b>B</b> 22.4 / 22.92	240x200x345	1	720	285	180	/	465	152x195
T95004	50Ton	300	180	/	<b>B</b> 32.47 / 32.84	255x210x345	1	503	300	180	/	480	176x225

