



## Application

- Can be used to transfer clean water or other liquids similar to water in physical and chemical properties
- Suitable for industrial use and urban water supply, pressure boosting for high buildings and fire fighting, garden irrigation, long-distance water transfer, heating ventilation and air conditioning, circulation and pressure boosting for cold and hot water, and supporting equipment etc.

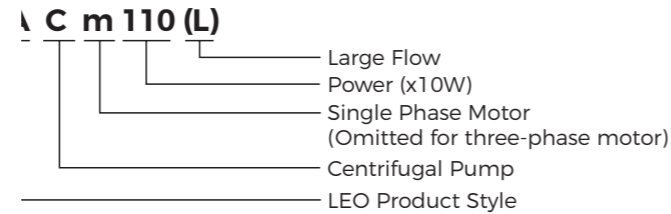
## Pump

- Cast iron pump body and support under special anti-rust treatment
- AISI 304 shaft
- Max. liquid temperature: +60°C
- Max. suction: +8 m

## Motor

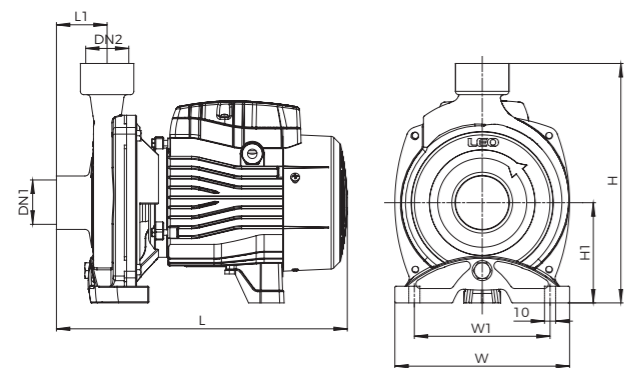
- Low noise&Long life bearing
- Motor with copper winding
- Built-in thermal protector for single phase motor
- Insulation class: F
- Enclosures class: IPX4
- Max.ambient temperature: +50°C
- IE 2 motor (Three phase, power ≥ 0.75kW)

## Identification Codes



## Technical Data

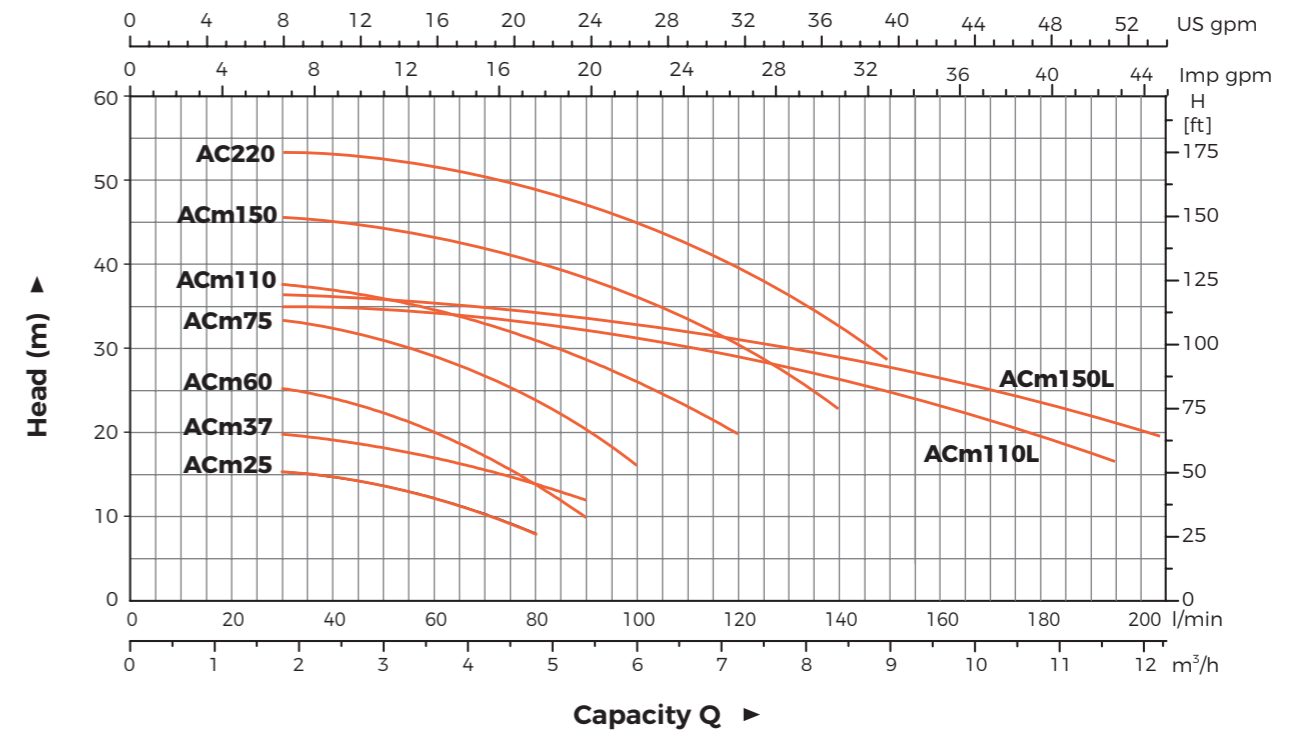
Model	Power	Q(m³/h)	H (m)																							
			0	0.6	0.9	1.2	1.8	2.4	3.0	3.6	4.2	4.5	4.8	5.4	6.0	6.6	7.2	7.8	8.4	9.0	9.6	10.8	11.7	12.6		
Single Phase	Three Phase	kW	HP	Q(l/min)	0	10	15	20	30	40	50	60	70	75	80	90	100	110	120	130	140	150	160	180	195	200
ACm25	-	0.25	0.3		17	16.5	16.2	16	15.5	14.5	13.5	12.5	10.5	9.5	8	-	-	-	-	-	-	-	-	-	-	-
ACm37	-	0.37	0.5		23	21.5	21	21	20.5	19.5	18	17	15.5	14.5	14	12	-	-	-	-	-	-	-	-	-	-
ACm60	AC60	0.5	0.8		27	26.5	26.2	26	25	24.5	22.5	20	17	15.5	14	10	-	-	-	-	-	-	-	-	-	-
ACm75	AC75	0.75	1		36	35	34	33.5	33	32	31	29	27	26	23.5	20	16	-	-	-	-	-	-	-	-	-
ACm110	AC110	1.1	1.5		40	39	38	38	37.5	37	36	35	33	32	31	29	26	23	20	-	-	-	-	-	-	-
ACm150	AC150	1.5	2		48	47.5	47	46.5	45.5	44.5	43.5	42.5	41.5	41	40.5	39	37	34.5	31	27	22	-	-	-	-	-
-	AC220	2.2	3		55	54.5	53	53.5	53	52.5	51.5	50.5	49.5	48	48.5	47	45.5	43.5	40	36.5	32.5	28	-	-	-	-
ACm110L	AC110L	1.1	1.5		34.5	34.3	34.2	34.1	34	33.8	33.5	33	32.5	32.3	32	31	30.5	29.5	28.5	27.5	26.5	25	23.5	20	16.5	-
ACm150L	AC150L	1.5	2		37.5	37.2	37	36.9	36.6	36.2	35.8	35.4	35	34.8	34.7	34	33.3	32.5	31.5	30.5	29.5	28.2	27	24	21	19



## Dimension

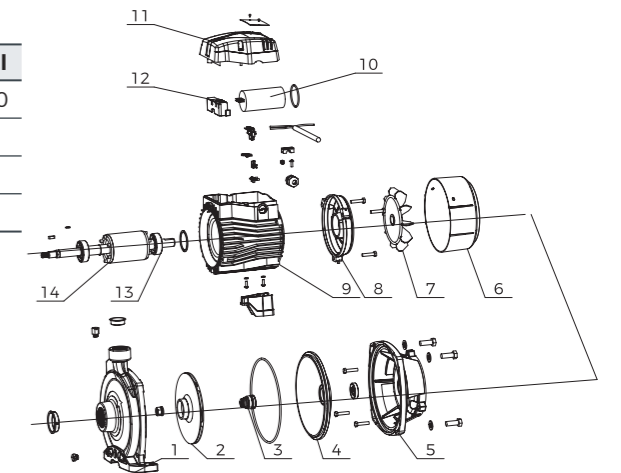
Model	DN1	DN2	L (mm)	W (mm)	H (mm)	L1 (mm)	W1 (mm)	H1 (mm)
ACm25	1"	1"	257	157	216	40	123	90
ACm37			257	157	216	40	123	90
ACm60			303	190	240	45	160	100
ACm75	1 1/4"	1"	303	190	240	45	160	100
ACm110			359	206	265	50	178	112
ACm150			360	240	286	52	207	115
AC220	1 1/2"	1"	360	240	286	52	207	115
ACm110L			359	206	265	50	178	112
ACm150L			359	206	265	50	178	112

## Hydraulic Performance Curves



## Material Table

No.	Part	Material	No.	Part	Material
1	Pump body	HT200	11	Cover box	PP-GF20
2	Impeller	HPb59-1	12	Wiring base assembly	PC
3	Mechanical seal		13	Bearing	
4	Supper cover	AISI304/HT200	14	Rotor	
5	Support	ADC12			
6	Fan cover	PP			
7	Fan	PP-GF10			
8	End plate	ADC12			
9	Stator				
10	Capacitor				



## Package Information

Model	GW (Kgs)	L (mm)	W (mm)	H (mm)	Quantity (PCS/20'TEU)
ACm25	8.3	290	185	239	2124
ACm37	8.8	290	185	239	2124
ACm60	11.3	333	215	274	1384
ACm75	13.4	333	215	274	1384
ACm110	18	383	233	301	987
ACm150	22	425	265	324	770
AC220	23.3	425	265	310	770
ACm110L	18.6	383	233	287	987
ACm150L	19.5	383	233	287	987

